

# PHILIPPGROUP

## PHILIPP Lifting loop with threaded end



VB3-V-014-en - 01/20 - PDF

**Application Instruction**

## Transport and mounting systems for prefabricated building

### ■ Technical department

Our staff will be pleased to support your planning phase with suggestions for the installation and use of our transport and mounting systems for precast concrete construction.

### ■ Special designs

Customized to your particular needs.

### ■ Practical tests on site

We ensure that our concepts are tailored precisely to your requirements.

### ■ Inspection reports

For documentation purposes and your safety.

### ■ On-site service

Our engineers will be pleased to instruct your technicians and production personnel at your plant, to advise on the installation of precast concrete parts and to assist you in the optimisation of your production processes.

### ■ High safety level when using our products

Close cooperation with federal materials testing institutes (MTIs), and official approvals for the use of our products and solutions whenever necessary.

### ■ Software solutions

The latest design software, animated videos and CAD libraries can always be found under [www.philipp-gruppe.de](http://www.philipp-gruppe.de).

### ■ Engineering contact

Phone: +49 (0) 6021 / 40 27-318  
Fax: +49 (0) 6021 / 40 27-340  
E-mail: [technik@philipp-gruppe.de](mailto:technik@philipp-gruppe.de)

### ■ Sales contact

Phone: +49 (0) 6021 / 40 27-300  
Fax: +49 (0) 6021 / 40 27-340  
E-mail: [export@philipp-group.de](mailto:export@philipp-group.de)



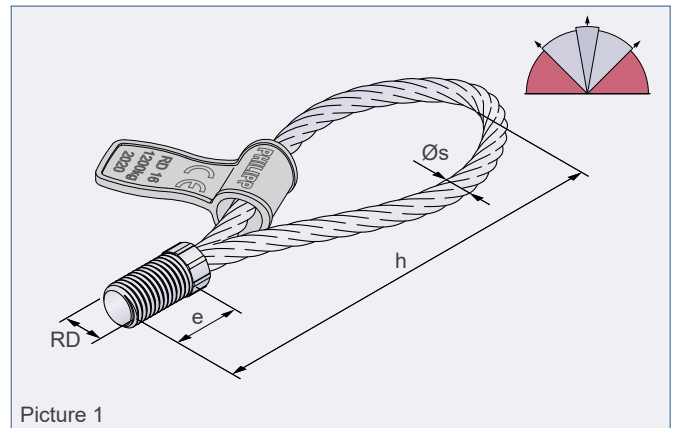
**Content**

■ PHILIPP Lifting loop with threaded end .....	Page	4
■ Material .....	Page	4
■ Marking .....	Page	4
■ Application .....	Page	5
■ Application.....	Page	5
■ Safety / inspection .....	Page	6
■ Safety notice .....	Page	6
■ Replacement criteria and inspection service .....	Page	6



## The Lifting loop with threaded end

The Lifting loop with threaded end is part of the PHILIPP Transport anchor system and complies with the VDI/BV-BS Guideline "Lifting inserts and lifting insert systems for pre-cast concrete elements" (VDI/BV-BS 6205). The use of the Lifting loop with threaded end requires the compliance with this Application Instruction, the Installation and Application Instruction of the particular threaded anchor as well as the General Installation Instruction. The Lifting loop with threaded end is only permissible for axial and diagonal tension up to 45°.



Picture 1

**Table 1: Permissible load bearing capacities and dimensions**

Ref.-no. ①	Type	perm. F 0°- 45° [kN]	RD	Dimensions			Weight [kg/pc.]
				Øs [mm]	h [mm]	e [mm]	
69RD12	RD 12	5.0	12	6	155	22	0.06
69RD14	RD 14	8.0	14	7	155	25	0.10
69RD16	RD 16	12.0	16	8	165	27	0.13
69RD18	RD 18	16.0	18	9	190	34	0.19
69RD20	RD 20	20.0	20	10	215	35	0.26
69RD24	RD 24	25.0	24	12	255	44	0.46
69RD30	RD 30	40.0	30	15	300	55	0.88
69RD36	RD 36	63.0	36	18	360	66	1.45
69RD42	RD 42	80.0	42	21	425	75	2.16
69RD52	RD 52	125.0	52	26	530	95	4.50

① Also available with M thread (ref.-no. 69M\_\_\_)  
- The weight of 1.0 t corresponds to 10.0 kN.

### Material

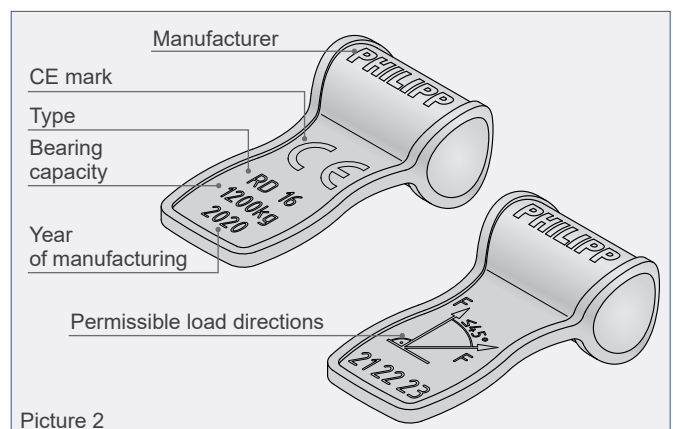
The Lifting loop is made of a galvanised steel wire rope while the threaded part is made of a bright precision steel.

### Marking

The Lifting loop with threaded end is labelled with a colour-coded tag which includes the following information (picture 2):

- Manufacturer (PHILIPP)
- CE mark ②
- Type (system / load class)
- Maximum bearing capacity (e.g. 1200 kg)
- Year of manufacturing
- Illustration of the permissible load direction

② The EC Declaration of Conformity (DoC) of the Lifting loop with threaded end is available on request or can be downloaded from our website [www.philipp-group.de](http://www.philipp-group.de).



Picture 2

## Application

### Application

The Lifting loop with threaded end is a lifting device of the threaded transport anchor system and is supplied with a round thread (with metric pitch) or metric thread. It must be screwed into the thread of the transport anchor hand-tight.



Using only one Lifting loop with threaded end in order to lift concrete elements attention must be paid that the lifting device is protected against unscrewing.

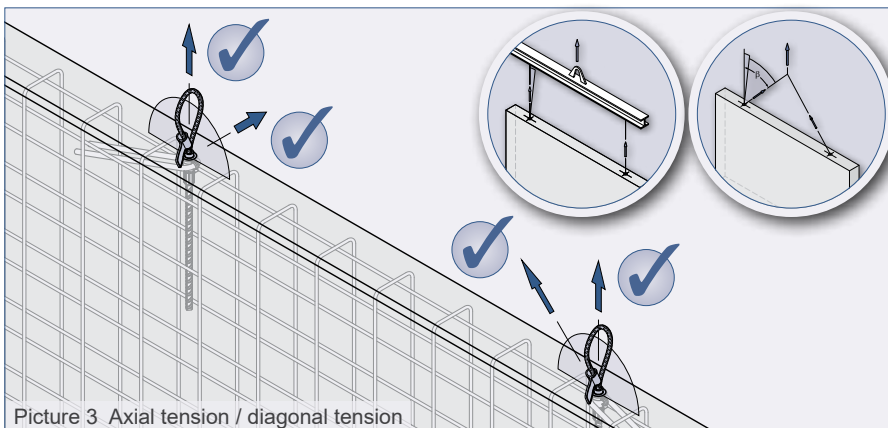
During use the following must be considered:

- Lateral tension to the Lifting loop with threaded end is not permitted!
- Thread must be screwed in completely!
- Dirty thread pitches of the transport anchors as well as of the Lifting loops with threaded end are to be cleaned!
- Please notice the replacement state!
- Contact of the Lifting loop with threaded end to acids, alkalis and other aggressive media is not allowed!

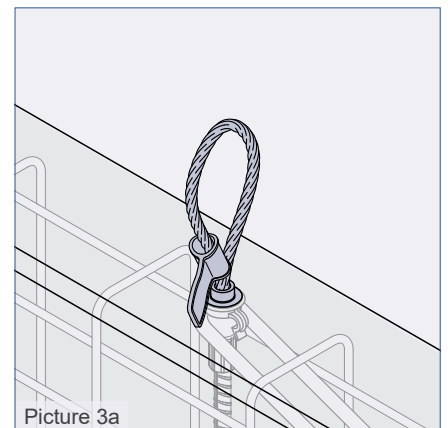
The Lifting loop with threaded end is only permitted for axial tension and diagonal tension up to 45°. Incorrect load directions during application lead to damages to the rope and the wire rope clamp. In case of a lateral tension within the transport and lifting procedure of the concrete element we recommend to use the Lifting loop plus, Wirbelstar or Lifty as correct lifting device.



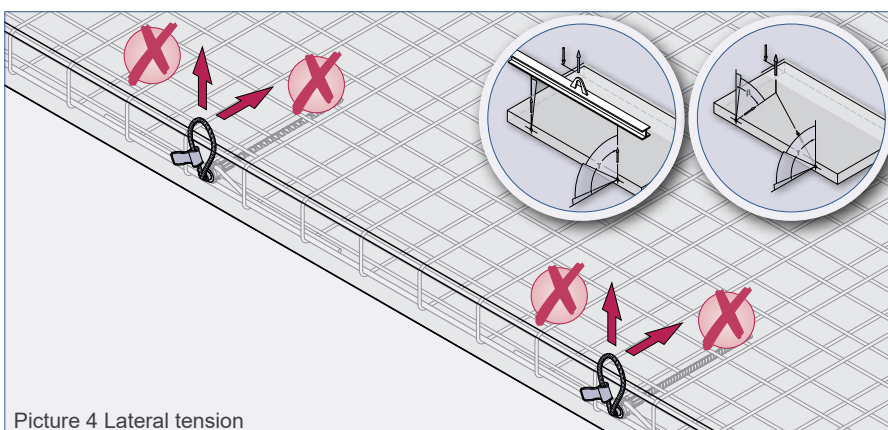
For the combination of a Lifting loop with threaded end with the different PHILIPP recess formers please refer to the document PHILIPP Threaded transport anchor system – Combinations.



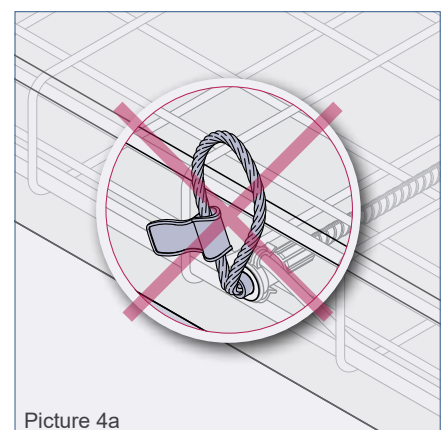
Picture 3 Axial tension / diagonal tension



Picture 3a



Picture 4 Lateral tension




Picture 4a

## Safety / inspection

### Safety advice

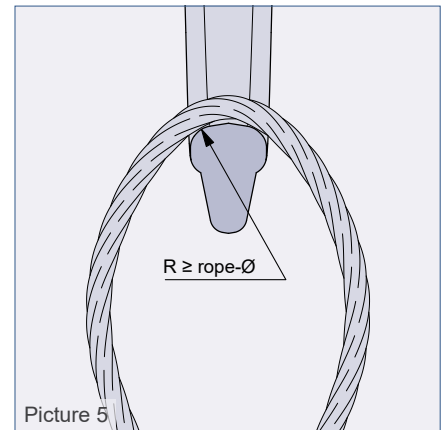
As each other lifting equipment and lifting device the Lifting loop with threaded end is subject to an annual inspection according to DGUV regulation 100-500, chapter 2.8. par. 3.15.4. This inspection has to be done by an expert and lies within the responsibility of the owner. Depending on the working conditions inspections might be necessary in a shorter interval than once a year. This might be caused by frequent use, increased wear, corrosion or heat treatment.


In general, the current accident prevention regulations must be observed. The correct hook size and form should be considered in order to extend the durability.




The rounding radius of the load hooks must be at least the rope diameter of the Lifting loop with threaded end (picture 5). The use of too small, too large or sharp-edged hooks leads to a reduced lifetime of the lifting device (replacement criteria).

If the Lifting loop with threaded end is loaded with extreme forces (e.g. by an event causing damage) it must be examined extraordinarily by an expert. The criteria are given in section „Replacement criteria and inspection service“.





Welding or other strong heat influences on the Lifting loop with threaded end are not allowed.



The continued use of damaged lifting devices or equipment already met the discard criteria is not permitted!

### Replacement criteria and inspection service

The replacement criteria of the Lifting loop with threaded end are based on the German regulation DGUV 100-500, chapter 2.8, par. 3.15.4.

Prior inspection the Lifting loop with threaded end must be cleaned. During inspection the following points have to be considered. If one of them is fulfilled the Lifting loop with threaded end has reached its replacement state and cannot be used anymore.

- Broken strand
- Kinks and bends
- Loosening of external layer
- Contusion in free lengths
- Contusions in the support area of the eye with more than 4 broken wires
- 4 broken wires on a length of the threefold of the wire rope diameter
- 6 broken wires on a length of the sixfold of the wire rope diameter
- 16 broken wires on a length of the thirtyfold of the wire rope diameter
- Corrosion pits
- Damages, deformations or strong wear and tear of the wire connection (threaded component)
- Breakage of the wire connection end (threaded part)
- Deformed thread
- Welding or other strong heat influences
- Pull-out of the wire rope from threaded part
- Unreadable or missing tag
- Dropping below the permissible test dimensions

Table 2: Test dimensions		
Load class	d <sub>M,min</sub> [mm]	
12	11.50	
14	13.50	
16	15.45	
18	17.40	
20	19.40	
24	23.40	
30	29.40	
36	35.40	
42	41.20	
52	51.20	



Our customers trust us to deliver. We do everything in our power to reward their faith and we start each day intending to do better than the last. We provide strength and stability in an ever-changing world.

## Welcome to the PHILIPP Group

Sustainable  
solutions

PHILIPPGROUP



### PHILIPP GmbH

Lilienthalstrasse 7-9  
D-63741 Aschaffenburg  
Phone: + 49 (0) 6021 / 40 27-0  
Fax: + 49 (0) 6021 / 40 27-440  
info@philipp-group.de

### PHILIPP GmbH

Roßlauer Strasse 70  
D-06869 Coswig/Anhalt  
Phone: + 49 (0) 34903 / 6 94-0  
Fax: + 49 (0) 34903 / 6 94-20  
info@philipp-group.de

### PHILIPP GmbH

Sperberweg 37  
D-41468 Neuss  
Phone: + 49 (0) 2131 / 3 59 18-0  
Fax: + 49 (0) 2131 / 3 59 18-10  
info@philipp-group.de

### PHILIPP ACON Hydraulic GmbH

Hinter dem grünen Jäger 3  
D-38836 Dardesheim  
Phone: + 49 (0) 39422 / 95 68-0  
Fax: + 49 (0) 39422 / 95 68-29  
info@philipp-group.de



### PHILIPP Vertriebs GmbH

Leogangerstraße 21  
A-5760 Saalfelden / Salzburg  
Phone + 43 (0) 6582 / 7 04 01  
Fax + 43 (0) 6582 / 7 04 01 20  
info@philipp-gruppe.at

For more information visit our website: [www.philipp-group.de](http://www.philipp-group.de)